

Регулятор давления

AR10-60

M5 ~ G1

Предназначен для понижения давления сжатого воздуха и поддержания его на заданном уровне

- Пригоден для модульного монтажа

Технические характеристики

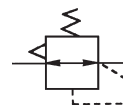
Конструктивное исполнение	Поршневые или мембранные регуляторы						
	10	20	25	30	40	50	60
Типоразмер	10	20	25	30	40	50	60
Присоединительная резьба	M5	G1/8, G1/4	G1/4, G3/8	G1/4, G3/8	G1/4, G3/8, G1/2	G3/4, G1	G1
Диапазон рабочих температур (°C)	-5 ~ 60 ¹⁾						
Испытательное давление (МПа)	1.5 (3.0 спец. исполнение)						
Макс. рабочее давление (МПа)	1.0 (2.0 спец. исполнение)						
Диапазон регулирования (МПа)	0.02 ~ 0.2 (по запросу)						
	0.05 ~ 0.7	0.05 ~ 0.85 (0.1 ~ 1.6 спец. исполнение)					
Резьба для присоедин. манометра ²⁾	Rc1/16 ³⁾	G1/8	G1/8	G1/8	G1/4	G1/4	G1/4
Сброс давления	Установленное вых. давление + 0.05МПа ⁴⁾ (расход сброса 0.1 л/мин)						
Вес (кг)	0.06	0.26	0.21	0.29	0.44	1.17	1.22

1) Исполнения для более высоких (-5 ~ 80) и более низких (-30 ~ 60) температур – по запросу.

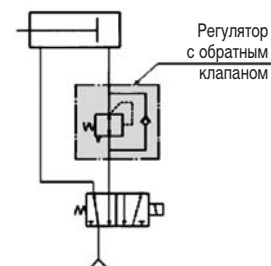
2) Не требуется для блоков со встраиваемым квадратным манометром (AR20 – AR60)

3) Для подсоединения манометра с резьбой 1/8 к отверстию с резьбой 1/16 используйте специальный переходник арт.131168

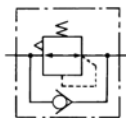
4) Неприменимо к AR10



Пример:
обеспечение различных давлений для выдвижения и втягивания штока пневмоцилиндра

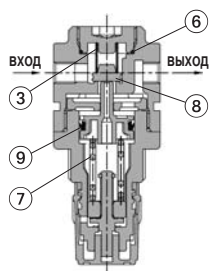


Регулятор с обратным клапаном поставляется по запросу

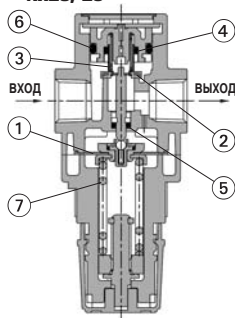


Конструкция

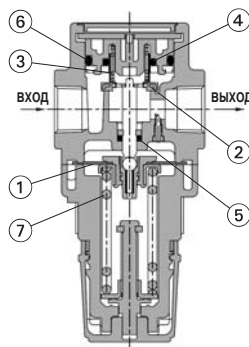
Поршневой регулятор AR10



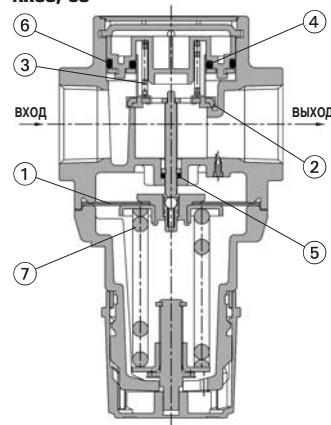
Мембранные регуляторы AR20, 25



AR30, 40

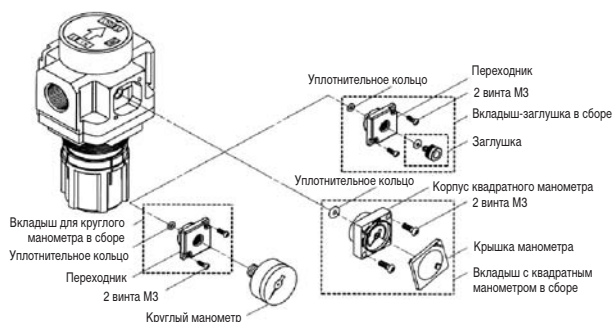


AR50, 60



Спецификация

Поз.	Обозначение	Материал
1	Мембрана	NBR
2	Седло клапана	NBR
3	Пружина седла клапана	Сталь нерж.
4	Кольцевая прокладка	NBR
5	Кольцевая прокладка	NBR
6	Кольцевая прокладка	NBR
7	Установочная нажимная пружина	Сталь нерж.
8	Поршень	Латунь/NBR
9	Поршневой уплотнительный элемент	NBR



Принадлежности (заказываются отдельно)

Типоразмер			10	20	25	30	40	50	60
Крепежный угольник ¹⁾			AR10P-270AS	AR20P-270AS	AR25P-270AS	AR30P-270AS	AR40P-270AS	AR50P-270AS ²⁾	AR60P-270AS ²⁾
Гайка для панельного монтажа			AR10P-260S	AR20P-260S	AR25P-260S	AR30P-260S	AR40P-260S	-	-
Манометр	1.0 МПа	Круглый	G27-10-R1	K8-10-40			K4-10-40		
		Квадратн. встраив. ³⁾	-	GC3-10AS					
	0.2 МПа	Круглый	G27-10-R1 ⁴⁾	K8-2.5-40			K4-2.5-40		
		Квадратн. встраив. ³⁾	-	GC3-2AS					
Реле давления с цифровой индикацией ⁵⁾	NPN выход / разъем снизу		ISE35-N-25-MLA						
	NPN выход / разъем сверху		ISE35-R-25-MLA						
	PNP выход / разъем снизу		ISE35-N-65-MLA						
	PNP выход / разъем сверху		ISE35-R-65-MLA						

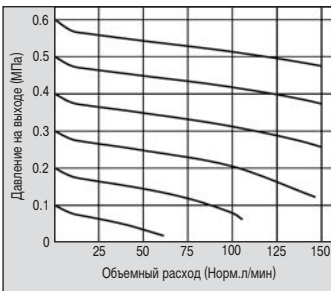
- Примечания: 1) Комплект включает угольник и установочную гайку
 2) Комплект включает угольник и два установочных винта
 3) Прилагаются одно уплотнительное кольцо и два установочных винта
 4) Для 1 МПа
 5) Комплект включает кабель (2 м) с разъемом, адаптер, фиксатор, кольцевую прокладку (1 шт.) и монтажные винты (2 шт.)

Для всех исполнений манометры заказываются отдельно

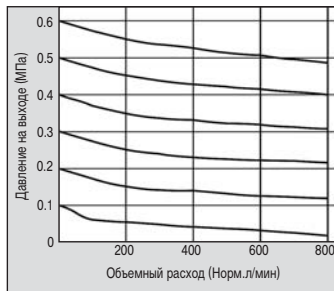
Характеристики

Расход при давлении на входе $P_1=0.7$ МПа

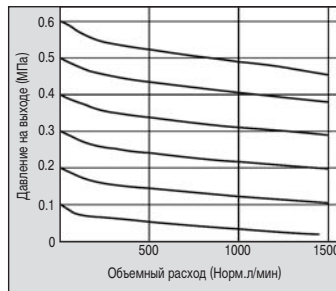
AR10



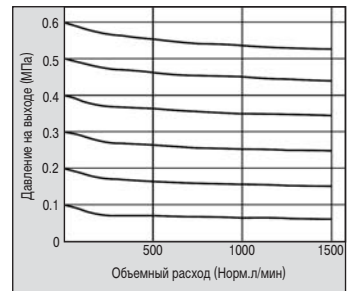
AR20



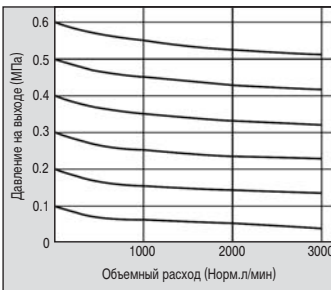
AR25



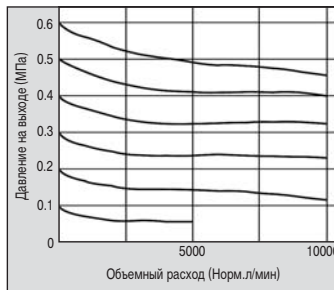
AR30



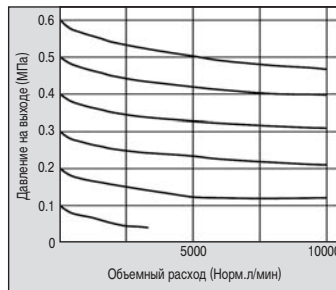
AR40



AR50

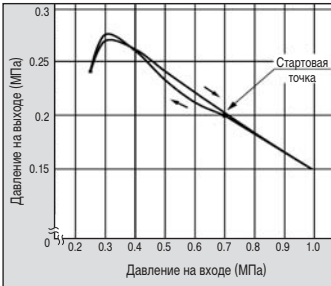


AR60

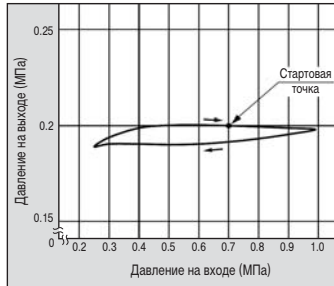


Характеристики давления при $Q_n=20$ л/мин

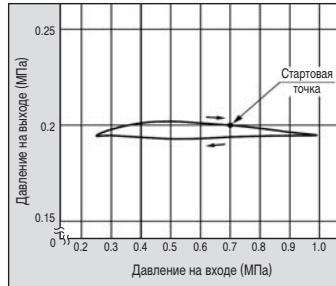
AR10



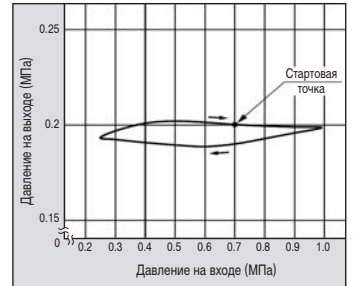
AR20



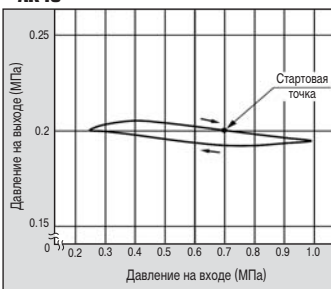
AR25



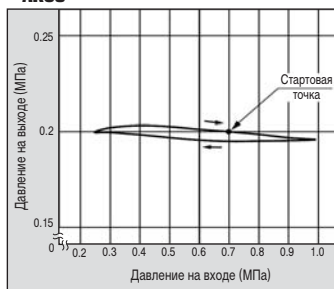
AR30



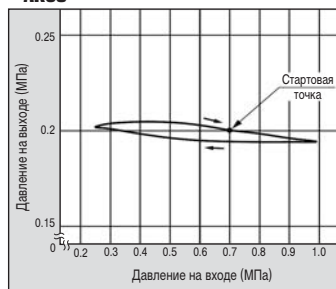
AR40



AR50



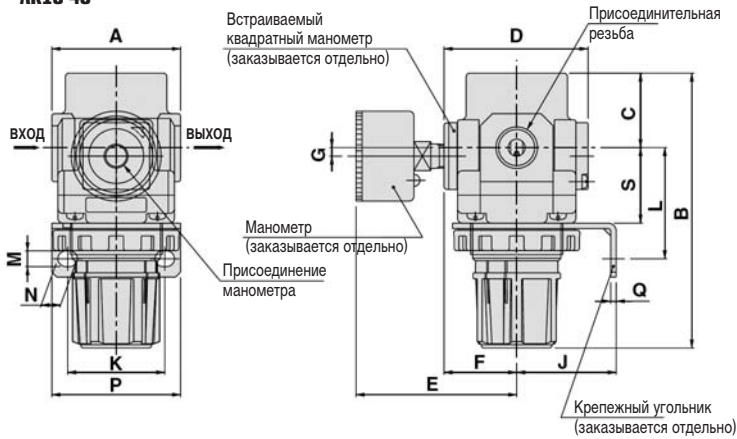
AR60



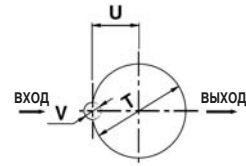
Регулятор давления AR10–60

Размеры

AR10-40

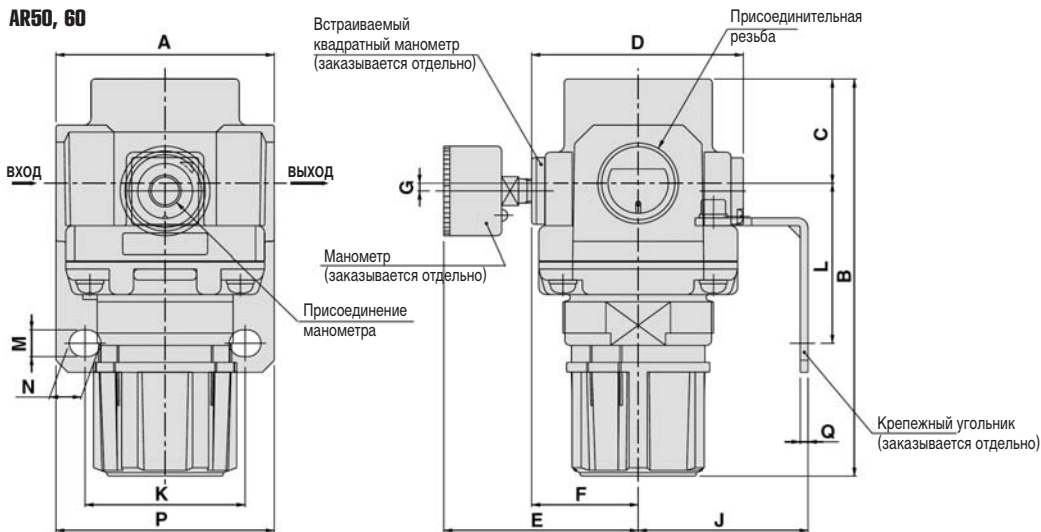


Отверстие под крепление на панели



Тип	Толщина листа
AR10 - AR30	≤ 3.5 мм
AR40	≤ 5 мм

AR50, 60





Типоразмер	Присоединительная резьба	A	C	B	D	E	F	G	J	K	L	M	N	P	Q	S	T	U	V
10	M5	25	11	58	25	26	-	0	25	28	30	4.5	6.5	40	2	18	18.5	-	-
20	G1/8, G1/4	40	26.5	94	57	65	29.5	21)	30	34	44	5.4	15.4	55	2.3	25	28.5	14	6
25	G1/4, G3/8	53	28	101	55	64	28.5	0	30	34	44	5.4	15.4	55	2.3	26	32.5	16	6
30	G1/4, G3/8	53	31	116	59	66	30.5	3.5	41	40	46	6.5	8	53	2.3	31	38.5	19	7
40	G1/4, G3/8, G1/2	70	36	128	68	74	35	3.5	50	54	54	8.5	10.5	70	2.3	36.5	42.5	21	7
50	G3/4, G1	90	43	169	87	84	44.5	3.3	70	66	65.8	11	13	90	3.2	-	-	-	-
60	G1	95	46	176	87	84	44.5	3.3	70	66	65.8	11	13	90	3.2	-	-	-	-

Типоразмер	Присоединительная резьба	Номер для заказа		
		Стандарт. исполнение	Спец. исполнение	
			0.02 ~ 0.2 МПа	0.1 ~ 1.6 МПа ¹⁾
10	M5	AR10-M5	AR10-M5-1	-
20	G1/8	AR20-F01	AR20-F01-1	AR20-F01-X425
	G1/4	AR20-F02	AR20-F02-1	AR20-F02-X425
25	G1/4	AR25-F02	AR25-F02-1	AR25-F02-X425
	G3/8	AR25-F03	AR25-F03-1	AR25-F03-X425
30	G1/4	AR30-F02	AR30-F02-1	AR30-F02-X425
	G3/8	AR30-F03	AR30-F03-1	AR30-F03-X425
40	G1/4	AR40-F02	AR40-F02-1	AR40-F02-X425
	G3/8	AR40-F03	AR40-F03-1	AR40-F03-X425
	G1/2	AR40-F04	AR40-F04-1	AR40-F04-X425
50	G3/4	AR50-F06	AR50-F06-1	AR50-F06-X425
	G1	AR50-F10	AR50-F10-1	AR50-F10-X425
60	G1	AR60-F10	AR60-F10-1	AR60-F10-X425

Для всех исполнений манометры заказываются отдельно

1) Манометры поставляются по запросу

Modular Type Regulators *Series AR*

Regulator Series AR	Model	Port size	Options
 <p data-bbox="169 965 496 987">Pages 346 through to 355</p>	AR10	M5 x 0.8	Bracket Square embedded type pressure gauge (except the AR10) Round type pressure gauge Digital pressure switch (except the AR10) Panel mount
	AR20	1/8, 1/4	
	AR25	1/4, 3/8	
	AR30	1/4, 3/8	
	AR40	1/4, 3/8, 1/2	
	AR40-06	3/4	
	AR50	3/4, 1	
	AR60	1	
Regulator with Backflow Function Series AR□K	AR20K	1/8, 1/4	Digital pressure switch (except the AR10) Panel mount
 <p data-bbox="169 1384 496 1406">Pages 346 through to 355</p>	AR25K	1/4, 3/8	
	AR30K	1/4, 3/8	
	AR40K	1/4, 3/8, 1/2	
	AR40K-06	3/4	
	AR50K	3/4, 1	
	AR60K	1	

AC

AF□

AR

AL

AW□

A□G

AV

AF800
AF900

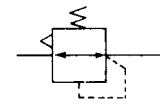
Regulator

AR10 to AR60

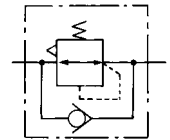
Regulator with Backflow Function

AR20K to AR60K

JIS Symbol
Regulator



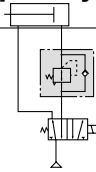
Regulator with
Backflow Function



- With the backflow function it incorporates a mechanism to exhaust the air pressure in the outlet side reliably and quickly.

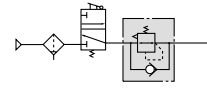
Example 1)

When the pressure in the rear and the front of the cylinder differs:

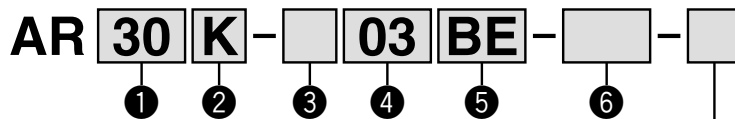


Example 2)

When the air supply is cut off and releasing the inlet pressure to the atmosphere, the residual pressure release of the outlet side can be ensured for a safety purpose.



How to Order



Made to Order

(Refer to pages 354 and 355 for details.)

- Option/Semi-standard: Select one each for a to g.
- Option/Semi-standard symbol: When more than one specification is required, indicate in alphanumeric order.
Example) AR30K-03BE-1NR

		Symbol	Description	①							
				Body size							
				10	20	25	30	40	50	60	
②	With backflow function	Nil	Without backflow function	●	●	●	●	●	●	●	
		K <small>Note 1)</small>	With backflow function	—	●	●	●	●	●	●	
+											
③	Thread type	Nil	Metric thread (M5)	●	—	—	—	—	—	—	
			Rc	—	●	●	●	●	●	●	
		N	NPT	—	●	●	●	●	●	●	
		F	G	—	●	●	●	●	●	●	
+											
④	Port size	M5	M5	●	—	—	—	—	—	—	
		01	1/8	—	●	—	—	—	—	—	
		02	1/4	—	●	●	●	●	—	—	
		03	3/8	—	—	●	●	●	—	—	
		04	1/2	—	—	—	—	●	—	—	
		06	3/4	—	—	—	—	●	●	—	
+											
a	Mounting	Nil	Without mounting option	●	●	●	●	●	●	●	
		B <small>Note 3)</small>	With bracket	●	●	●	●	●	●	●	
		H	With set nut (for panel fitting)	●	●	●	●	●	—	—	
+											
⑤ <small>Note 2)</small>	b	Pressure gauge	Nil	Without pressure gauge	●	●	●	●	●	●	●
			E	Square embedded type pressure gauge (with limit indicator)	—	●	●	●	●	●	●
			G	Round type pressure gauge (without limit indicator)	●	—	—	—	—	—	—
				Round type pressure gauge (with limit indicator)	—	●	●	●	●	●	●
	Digital pressure switch	E1 <small>Note 4)</small>	Output: NPN output / Electrical entry: Wiring bottom entry	—	●	●	●	●	●	●	●
		E2 <small>Note 4)</small>	Output: NPN output / Electrical entry: Wiring top entry	—	●	●	●	●	●	●	●
		E3 <small>Note 4)</small>	Output: PNP output / Electrical entry: Wiring bottom entry	—	●	●	●	●	●	●	●
		E4 <small>Note 4)</small>	Output: PNP output / Electrical entry: Wiring top entry	—	●	●	●	●	●	●	●

Regulator *Series AR10 to AR60* Regulator with Backflow Function *Series AR20K to AR60K*



AR20, AR20K AR40, AR40K

	Symbol	Description	① Body size							
			10	20	25	30	40	50	60	
⑥ Semi-standard	c	Nil ^{Note 5)}	0.05 to 0.85 MPa setting							
		1 ^{Note 6)}	0.02 to 0.2 MPa setting							
	+									
	d	Nil	Relieving type							
		N	Non-relieving type							
	+									
	e	Nil	Flow direction: Left to right							
		R	Flow direction: Right to left							
	+									
	f	Nil	Downward							
		Y	Upward							
	+									
g	Pressure unit	Nil	Name plate and pressure gauge in imperial units: MPa							
		Z ^{Note 7)}	Name plate and pressure gauge in imperial units: psi							
		ZA ^{Note 8)}	Digital pressure switch: With unit conversion function							
			○ ^{Note 9)}	○ ^{Note 9)}	○ ^{Note 9)}	○ ^{Note 9)}	○ ^{Note 9)}	○ ^{Note 9)}	○ ^{Note 9)}	○ ^{Note 9)}
		—	△ ^{Note 10)}	△ ^{Note 10)}	△ ^{Note 10)}	△ ^{Note 10)}	△ ^{Note 10)}	△ ^{Note 10)}	△ ^{Note 10)}	△ ^{Note 10)}

Note 1) The AR10 type comes with a backflow function as a standard feature. (K is not available.) When using the AR10 type as w/ backflow function, backflow may not occur with the set pressure 0.15 MPa or less. Please set the inlet pressure to at least 0.05 MPa higher than the set pressure.

Note 2) Option B, G, H, M are not assembled and supplied loose at the time of shipment.

Note 3) Assembly of a bracket and set nuts (AR10, AR20(K) to AR40(K))
Including 2 mounting screws for the AR50(K) and AR60(K)

Note 4) When choosing with H (panel mount), the installation space for lead wires will not be secured. In this case, select "wiring top entry" for the electrical entry. (Select "wiring bottom entry" when the semi-standard Y is chosen simultaneously.)

Note 5) Only the AR10 has a pressure setting of 0.05 to 0.7 MPa.

Note 6) The only difference from the standard specifications is the adjusting spring for the regulator. It does not restrict the setting of 0.2 MPa or more. When the pressure gauge is attached, a 0.2 MPa pressure gauge will be fitted.

Note 7) For thread type: M5 and NPT. This product is for overseas use only according to the new Measurement Law. (The SI unit type is provided for use in Japan.)
The digital pressure switch will be equipped with the unit conversion function, setting to psi initially.

The combination of the round type pressure gauge with color zone "M" and a psi display "Z" is not orderable as a standard product. However, this combination is available as a special.

Note 8) For options: E1, E2, E3, E4. This product is for overseas use only according to the new Measurement Law. (The SI unit is provided for use in Japan.)

Note 9) ○: For thread type: M5 and NPT only
Note 10) △: Select with options: E1, E2, E3, E4.

Standard Specifications

Model	AR10	AR20(K)	AR25(K)	AR30(K)	AR40(K)	AR40(K)-06	AR50(K)	AR60(K)	
Port size	M5 x 0.8	1/8, 1/4	1/4, 3/8	1/4, 3/8	1/4, 3/8, 1/2	3/4	3/4, 1	1	
Pressure gauge port size ^{Note 1)}	1/16 ^{Note 2)}	1/8		1/4					
Fluid	Air								
Ambient and fluid temperature ^{Note 3)}	-5 to 60°C (with no freezing)								
Proof pressure	1.5 MPa								
Maximum operating pressure	1.0 MPa								
Set pressure range	0.05 to 0.7 MPa	0.05 to 0.85 MPa							
Relief pressure ^{Note 4)}	Set pressure + 0.05 MPa [at relief flow rate of 0.1 ℓ/min (ANR)]								
Construction	Relieving type								
Mass (kg)	0.06	0.16	0.21	0.29	0.44	0.47	1.17	1.22	

Note 1) Pressure gauge connection threads are not available for F.R.L. unit with a square embedded type pressure gauge (AR20(K) to AR60(K)).

Note 2) Use a bushing (part no:131368) when connecting the R1/8 pressure gauge to the Rc1/16.

Note 3) -5 to 50°C for the products with the digital pressure switch.

Note 4) Not applicable to the AR10.

Series AR10 to AR60

Series AR20K to AR60K

Options/Part No.

Option		Model	AR10	AR20(K)	AR25(K)	AR30(K)	AR40(K)	AR40(K)-06	AR50(K)	AR60(K)	
Bracket assembly ^{Note 1)}			AR10P-270AS	AR20P-270AS	AR25P-270AS	AR30P-270AS	AR40P-270AS		AR50P-270AS ^{Note 2)}		
Set nut			AR10P-260S	AR20P-260S	AR25P-260S	AR30P-260S	AR40P-260S		___ ^{Note 3)}	___ ^{Note 3)}	
Pressure gauge	^{Note 4)} Round type	Standard	G27-10-R1		G36-10-□01		G46-10-□02				
		0.02 to 0.2 MPa setting	G27-10-R1 ^{Note 5)}		G36-2-□01		G46-2-□02				
	^{Note 4)} Round type (with color zone)	Standard	—		G36-10-□01-L		G46-10-□02-L				
		0.02 to 0.2 MPa setting	—		G36-2-□01-L		G46-2-□02-L				
	^{Note 6)} Square embedded type	Standard	—		GC3-10AS [GC3P-010AS (Pressure gauge cover only)]						
		0.02 to 0.2 MPa setting	—		GC3-2AS [GC3P-010AS (Pressure gauge cover only)]						
Digital pressure switch	NPN output: Wiring bottom entry		—		ISE35-N-25-MLA [ISE35-N-25-M (Switch body only)] ^{Note 7)}						
	NPN output: Wiring top entry				ISE35-R-25-MLA [ISE35-R-25-M (Switch body only)] ^{Note 7)}						
	PNP output: Wiring bottom entry				ISE35-N-65-MLA [ISE35-N-65-M (Switch body only)] ^{Note 7)}						
	PNP output: Wiring top entry				ISE35-R-65-MLA [ISE35-R-65-M (Switch body only)] ^{Note 7)}						

Note 1) Assembly of a bracket and set nuts

Note 2) Assembly of a bracket and 2 mounting screws

Note 3) Please consult with SMC regarding the set nuts for the AR50(K) and AR60(K).

Note 4) □ in part numbers for a round pressure gauge indicates a type of connection thread. No indication is necessary for R; however, indicate N for NPT. Please contact SMC regarding the connection thread NPT and pressure gauge supply for psi unit specifications.

Note 5) Pressure gauge for general purpose

Note 6) Including one O-ring and 2 mounting screws. []: Pressure gauge cover only

Note 7) Lead wire with connector (2 m), adapter, lock pin, O-ring (1 pc.), mounting screw (2 pcs.) are attached. []: Switch body only

Also, regarding how to order the digital pressure switch, please refer to page 388.

⚠ Specific Product Precautions

Be sure to read before handling. Refer to front matters 42 and 43 for Safety Instructions and pages 287 to 291 for F.R.L. Precautions.

Selection

⚠ Warning

- Residual pressure disposal (outlet pressure removal) is not possible for the AR20 to AR60 even though the inlet pressure is exhausted. When the residual pressure disposal is performed, use the regulator with a backflow function (AR20K to AR60K).

Maintenance

⚠ Warning

- When using the regulator with backflow function between a solenoid valve and an actuator, check the pressure gauge periodically. Sudden pressure fluctuations may shorten the durability of the pressure gauge. A digital pressure gauge is recommended for such situation or as deemed necessary.

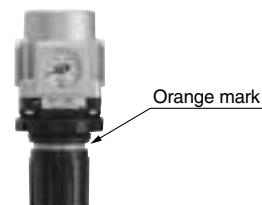
Mounting and Adjustment

⚠ Warning

- Set the regulator while verifying the displayed values of the inlet and outlet pressure gauges. Turning the regulator knob excessively can cause damage to the internal parts.
- The pressure gauge included with regulators for 0.02 to 0.2 MPa setting is for up to 0.2 MPa use only (except the AR10). Exceeding 0.2 MPa of pressure can damage the gauge.
- Do not use tools on the pressure regulator knob as this may cause damage. It must be operated manually.

⚠ Caution

- Be sure to unlock the knob before adjusting the pressure and lock it after setting the pressure. Failure to follow this procedure can cause damage to the knob and the outlet pressure may fluctuate.
 - Pull the pressure regulator knob to unlock. (You can visually verify this with the "orange mark" that appears in the gap.)
 - Push the pressure regulator knob to lock. When the knob is not easily locked, turn it left and right a little and then push it (when the knob is locked, the "orange mark", i.e., the gap will disappear).

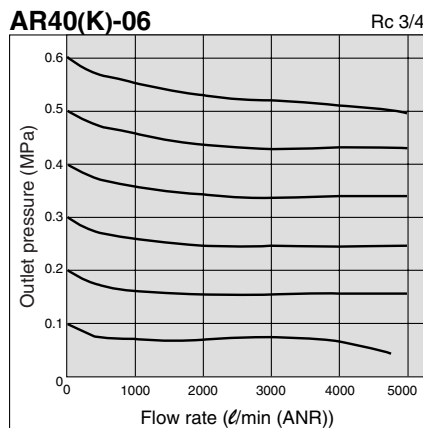
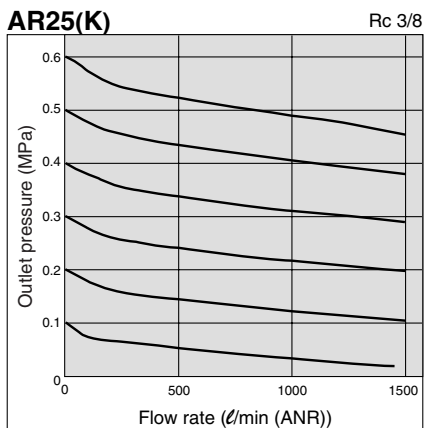
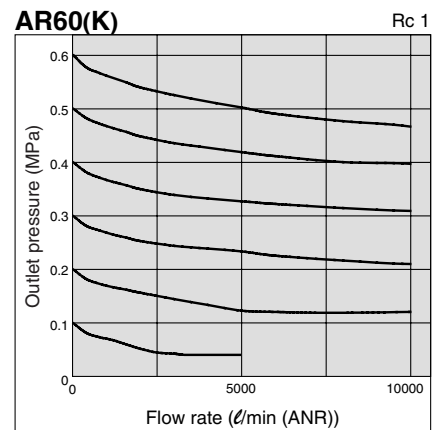
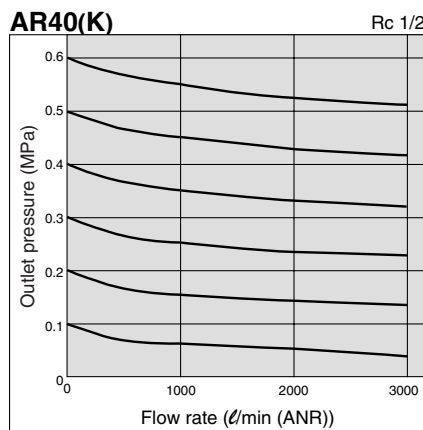
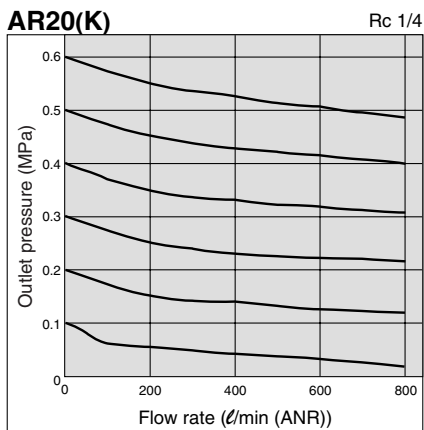
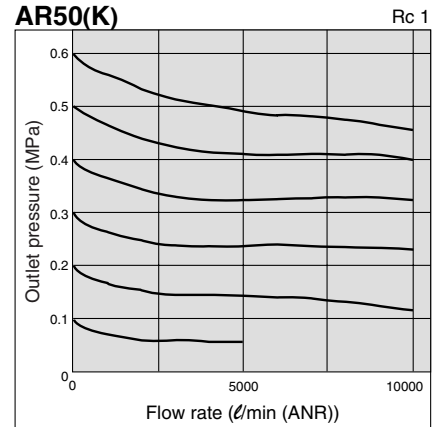
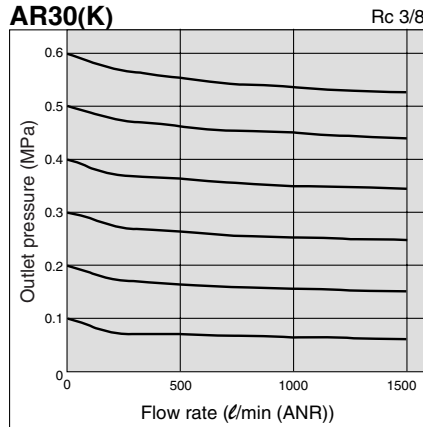
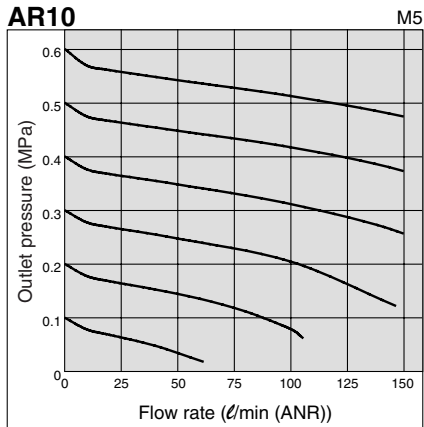


- A knob cover is available to prevent careless operation of the knob. Refer to page 389 for details.

Regulator *Series AR10 to AR60* Regulator with Backflow Function *Series AR20K to AR60K*

Flow Characteristics (Representative values)

Condition: Inlet pressure 0.7 MPa



AC

AF □

AR

AL

AW □

AG □

AV

AF800
AF900

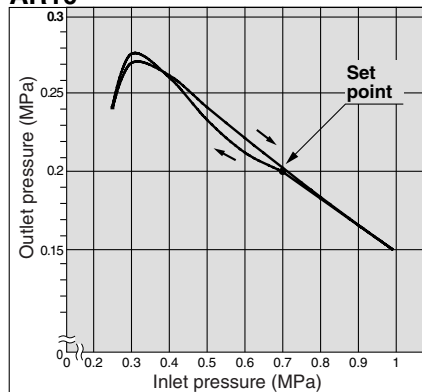
Series AR10 to AR60

Series AR20K to AR60K

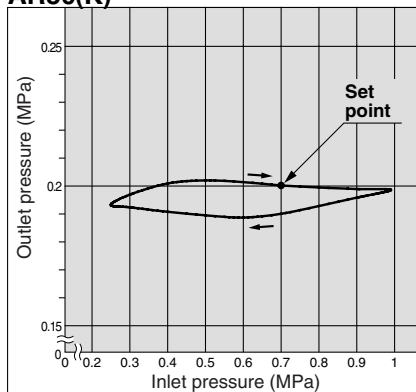
Pressure Characteristics (Representative values)

Conditions: Inlet pressure 0.7 MPa, Outlet pressure 0.2 MPa, Flow rate 20 l/min (ANR)

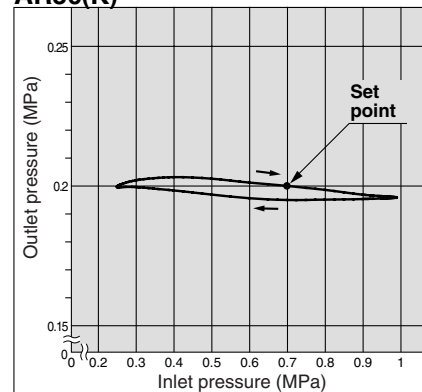
AR10



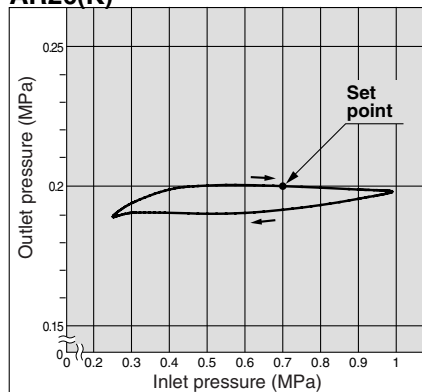
AR30(K)



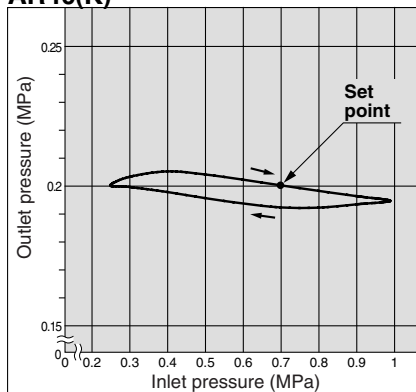
AR50(K)



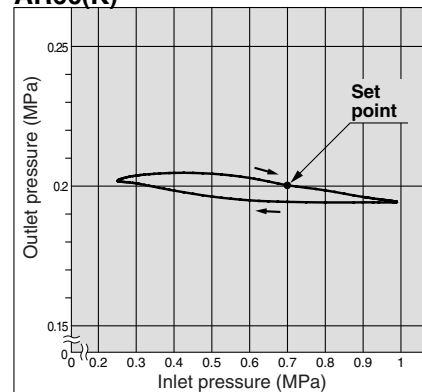
AR20(K)



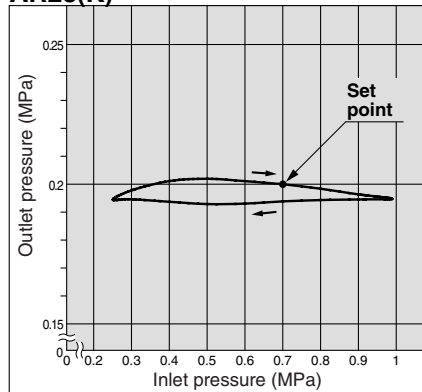
AR40(K)



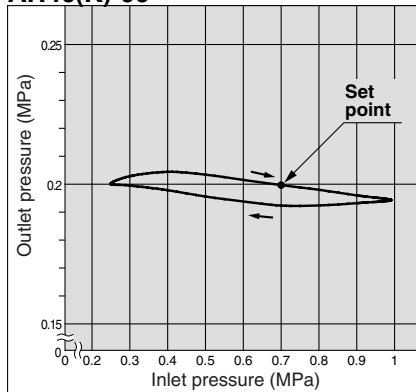
AR60(K)



AR25(K)



AR40(K)-06

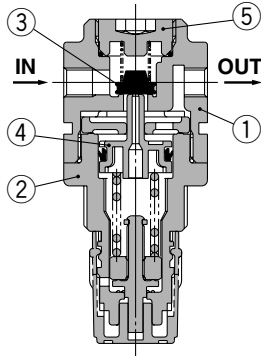


Regulator *Series AR10 to AR60*

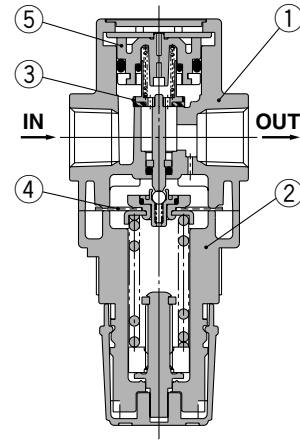
Regulator with Backflow Function *Series AR20K to AR60K*

Construction

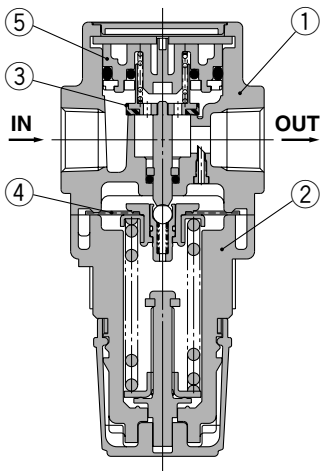
AR10



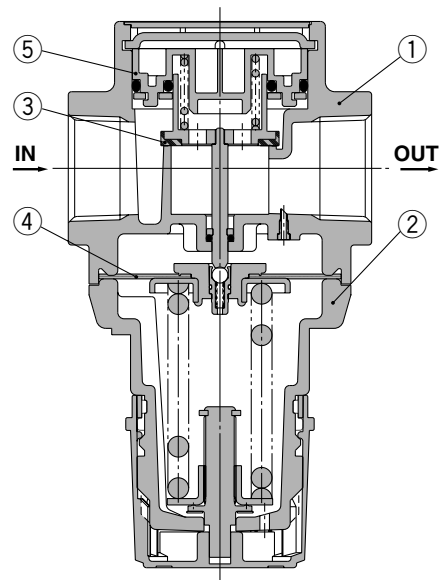
AR20(K), AR25(K)



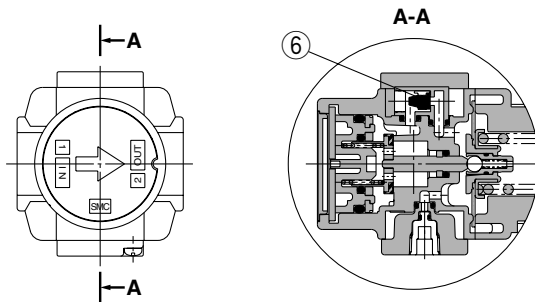
AR30(K), AR40(K)



AR50(K), AR60(K)



AR20K to AR60K (Regulator with Backflow Function)



Component Parts

No.	Description	Material	Model	Color
1	Body	Zinc die-cast	AR10	Platinum silver
		Aluminum die-cast	AR20(K) to AR60(K)	
2	Bonnet	Polyacetal	AR10, AR20(K) to AR40(K)-06	Black
		Aluminum die-cast	AR50(K), AR60(K)	

Replacement Parts

No.	Description	Material	Part no.						
			AR10	AR20(K)	AR25(K)	AR30(K)	AR40(K)	AR40(K)-06	AR50(K)
3	Valve assembly	Brass, HNBR	AR10P-090S	AR20P-410S	AR25P-410S	AR30P-410S	AR40P-410S	AR50P-410S	AR60P-410S
4	Diaphragm assembly	Weatherable NBR	AR10P-150AS <small>Note 1)</small>	AR20P-150AS	AR25P-150AS	AR30P-150AS	AR40P-150AS	AR50P-150AS	
5	Valve guide assembly	Polyacetal	131329	AR20P-050AS	AR25P-050AS	AR30P-050AS	AR40P-050AS	AR50P-050AS	AR60P-050AS
6	Check valve assembly <small>Note 2)</small>	—	—	AR20KP-020AS					

Note 1) The AR10 is a piston type. Assembly of a piston and a seal (KSYP-13).

Note 2) Check valve assembly is applicable for a regulator with backflow function (AR20K to AR60K) only.

Assembly of a check valve cover, check valve body assembly and 2 screws

AC
AF□
AR
AL
AW□
A□G
AV
AF800
AF900

Series AR10 to AR60

Series AR20K to AR60K

Working Principle (Regulator with Backflow Function)

AR10

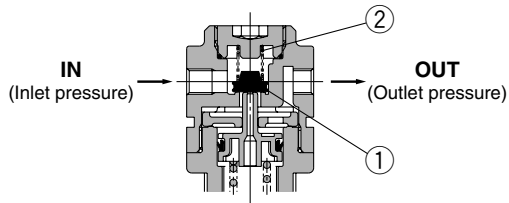


Figure 1

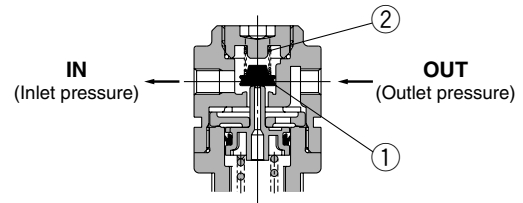


Figure 2

When the inlet pressure is higher than the regulating pressure, the check valve operates as a normal regulator (Figure 1).

When the inlet pressure is shut off and exhausted, any inlet pressure applied to the valve ① will be lost. The force for seating the valve ① is the valve spring force ② only. When the valve ① is opened using the outlet force, the outlet pressure will be exhausted at the inlet side. (Figure 2)

When the set pressure is 0.15 MPa or less, valve ① may not open due to the valve spring ② force.

AR20K to AR60K

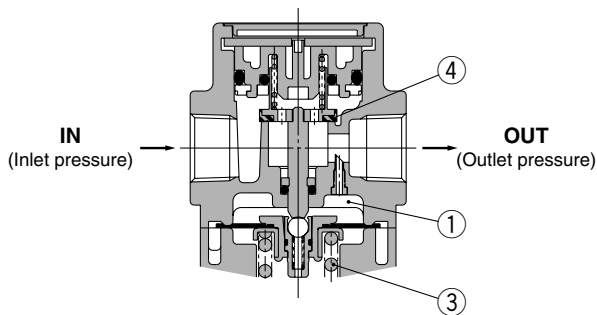
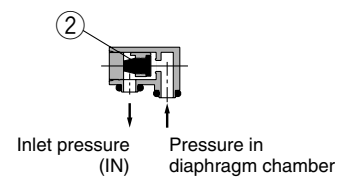
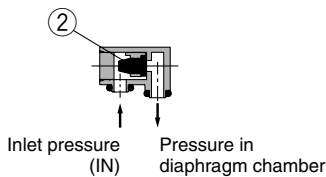
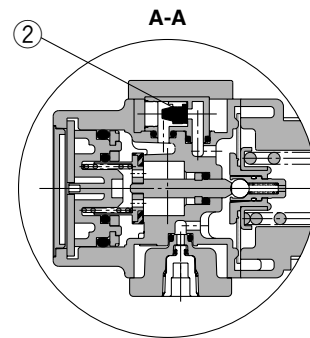
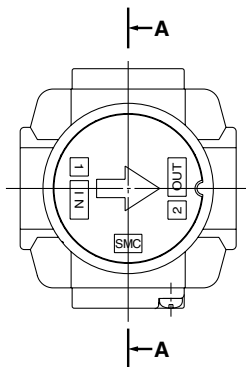


Figure 1 Normal

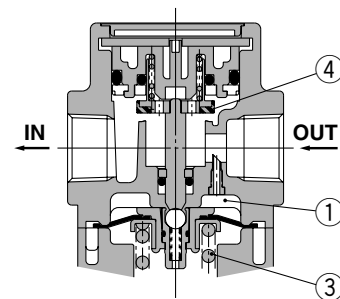


Figure 2 Backflow

When the inlet pressure is higher than the regulating pressure, the check valve ② closes and operates as a normal regulator (Figure 1). When the inlet pressure is shut off and released, the check valve ② opens and the pressure in the diaphragm chamber ① is released into the inlet side (Figure 2).

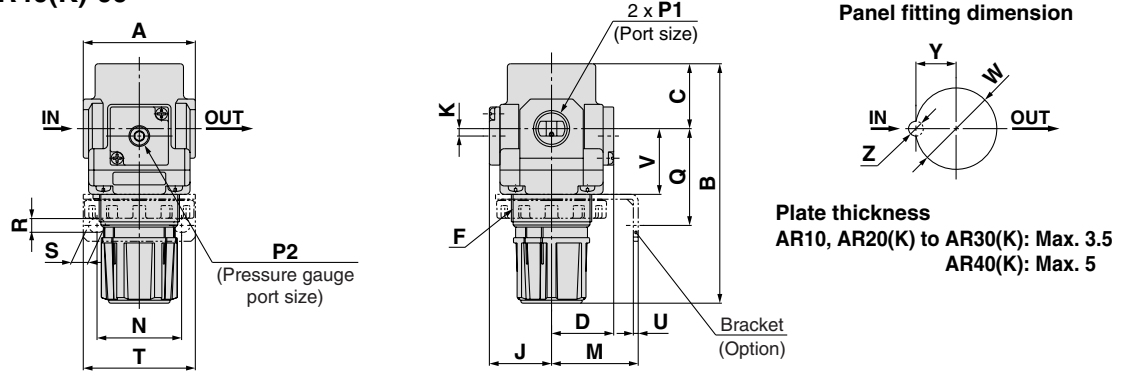
This lowers the pressure in the diaphragm chamber ① and the force generated by the pressure regulator spring ③ lifts the diaphragm. Valve ④ opens through the stem, and the outlet pressure is released to the inlet side (Figure 2).

Regulator *Series AR10 to AR60*

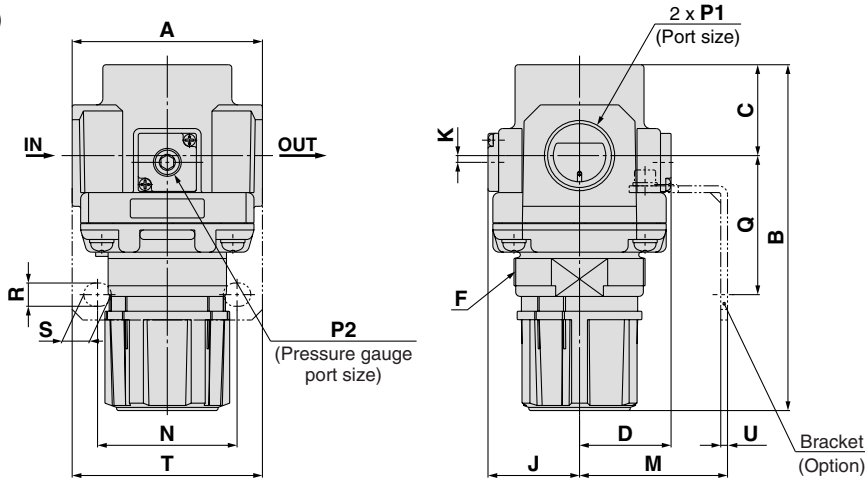
Regulator with Backflow Function *Series AR20K to AR60K*

Dimensions

AR10, AR20(K) to AR40(K)-06



AR50(K), AR60(K)



Applicable model	AR20(K) to AR60(K)		AR10, AR20(K) to AR60(K)	AR20(K) to AR60(K)
Option	Square embedded type pressure gauge	Digital pressure switch	Round type pressure gauge	Round type pressure gauge (with color zone)
Dimensions				

Model	Standard specifications										Optional specifications						
	P1	P2	A	B ^{Note 1)}	C	D	F	J	K	H	J	H	J	H	J	H	J
AR10	M5 x 0.8	1/16	25	58	11	12.5	M18 x 1	13	0	—	—	—	—	ø26	26	—	—
AR20(K)	1/8, 1/4	1/8	40	94	26.5	28.5	M28 x 1	28.5	2 ^{Note 2)}	□28	29.5	□27.8	40	ø37.5	65	ø37.5	65
AR25(K)	1/4, 3/8	1/8	53	101	28	27.5	M32 x 1.5	27.5	0	□28	28.5	□27.8	39	ø37.5	64	ø37.5	64
AR30(K)	1/4, 3/8	1/8	53	116	31	29.5	M38 x 1.5	29.5	3.5	□28	30.5	□27.8	41	ø37.5	66	ø37.5	66
AR40(K)	1/4, 3/8, 1/2	1/4	70	128	36	34	M42 x 1.5	34	3.5	□28	35	□27.8	45	ø42.5	74	ø42.5	74
AR40(K)-06	3/4	1/4	75	129	36	34	M42 x 1.5	34	3	□28	35	□27.8	45	ø42.5	74	ø42.5	74
AR50(K)	3/4, 1	1/4	90	169	43	43.5	M62 x 1.5	43.5	3.3	□28	44.5	□27.8	55	ø42.5	84	ø42.5	84
AR60(K)	1	1/4	95	176	46	43.5	M62 x 1.5	43.5	3.3	□28	44.5	□27.8	55	ø42.5	84	ø42.5	84

Model	Optional specifications											
	Bracket mount							Panel mount				
	M	N	Q	R	S	T	U	V	W	Y	Z	
AR10	25	28	30	4.5	6.5	40	2	18	18.5	—	—	
AR20(K)	30	34	44	5.4	15.4	55	2.3	25	28.5	14	6	
AR25(K)	30	34	44	5.4	15.4	55	2.3	26	32.5	16	6	
AR30(K)	41	40	46	6.5	8	53	2.3	31	38.5	19	7	
AR40(K)	50	54	54	8.5	10.5	70	2.3	35.5	42.5	21	7	
AR40(K)-06	50	54	56	8.5	10.5	70	2.3	37	42.5	21	7	
AR50(K)	70	66	65.8	11	13	90	3.2	—	—	—	—	
AR60(K)	70	66	65.8	11	13	90	3.2	—	—	—	—	

Note 1) The total length of B dimension is the length when the filter regulator knob is unlocked.
 Note 2) For the AR20 only, the position of the pressure gauge is above the center of the piping.

- AC
- AF□
- AR
- AL
- AW□
- A□G
- AV
- AF800
- AF900

Regulator AR20 to AR60 Made to Order Specifications:

Please contact SMC for detailed dimensions, specifications, and lead times.



AR30-03G-X440 AR30-03-X425

① Special Temperature Environment

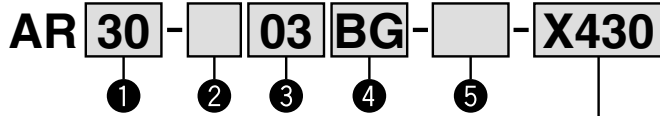
Special materials are used in the manufacturing of seals and resin parts to allow them to withstand various temperature conditions in cold or tropical (hot) climates.

Specifications

Made-to-order part no.	-X430	-X440
Environment	Low temperature	High temperature
Ambient temperature (°C)	-30 to 60	-5 to 80
Fluid temperature (°C)	-5 to 60 (with no freezing)	
Material	Rubber parts	Special NBR
	Main parts	FKM
	Metal (Aluminum die-cast), etc.	

Applicable Model

Model	AR25	AR30	AR40	AR40-06	AR50	AR60
Port size	1/4, 3/8	1/4, 3/8	1/4, 3/8, 1/2	3/4	3/4, 1	1



- Option/Semi-standard: Select one each for a to g.
 - Option/Semi-standard symbol: When more than one specification is required, indicate in alphanumeric order.
- Example) AR30-03BG-1NR-X430

For high/low temperature

X430	Low temperature
X440	High temperature

	Symbol	Description	① Body size					
			25	30	40	50	60	
② Thread type	Nil	Rc	●	●	●	●	●	
	N	NPT	●	●	●	●	●	
	F	G	●	●	●	●	●	
+								
③ Port size	02	1/4	●	●	●	—	—	
	03	3/8	●	●	●	—	—	
	04	1/2	—	—	●	—	—	
	06	3/4	—	—	●	●	—	
	10	1	—	—	—	●	●	
+								
④ Option	a Mounting	Nil	Without mounting option	●	●	●	●	●
		B	With bracket	●	●	●	●	●
		H	With set nut (for panel fitting)	●	●	●	—	—
+								
④ Option	b Pressure gauge	G	Round type pressure gauge (without limit indicator)	●	●	●	●	●
		G	Round type pressure switch (with limit indicator)	●	●	●	●	●
+								
⑤ Semi-standard	c Set pressure	Nil	0.05 to 0.85 MPa setting	●	●	●	●	●
		1	0.02 to 0.2 MPa setting	●	●	●	●	●
+								
⑤ Semi-standard	d Exhaust mechanism	Nil	Relieving type	●	●	●	●	●
		N	Non-relieving type	●	●	●	●	●
+								
⑤ Semi-standard	e Flow direction	Nil	Flow direction: Left to right	●	●	●	●	●
		R	Flow direction: Right to left	●	●	●	●	●
+								
⑤ Semi-standard	f Knob	Nil	Downward	●	●	●	●	●
		Y	Upward	●	●	●	●	●
+								
⑤ Semi-standard	g Pressure unit	Nil	Name plate and pressure gauge in imperial units: MPa	●	●	●	●	●
		Z	Name plate and caution plate for bowl in imperial units: psi	○	○	○	○	○

- Note 1) Option B, G, H are not assembled and supplied loose at the time of shipment.
 Note 2) Assembly of a bracket and set nuts (AR25 to AR40) Including 2 mounting screws for the AR50 and AR60
 Note 3) Mounting thread for pressure gauge: 1/8 for the AR25 to AR30; 1/4 for the AR40 to AR60. Pressure gauge type: G43
 Note 4) The only difference from the standard specifications is the adjusting spring for the regulator. It does not restrict the setting of 0.2 MPa or more. When the pressure gauge is attached, a 0.2 MPa pressure gauge will be fitted.
 Note 5) For thread type: NPT. This product is for overseas use only according to the new Measurement Law. (The SI unit type is provided for use in Japan.)
 Note 6) ○: For thread type: NPT only

② High Pressure

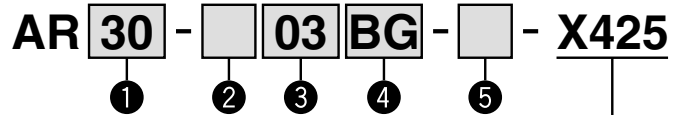
Strong materials are used in the manufacturing of air filters intended for high pressure operation. Also, construction modification allows a wider regulating pressure range.

Specifications

Made-to-order part no.	-X425
Proof pressure (MPa)	3.0
Maximum operating pressure (MPa)	2.0
Set pressure range (MPa)	0.1 to 1.6
Ambient and fluid temperature (°C)	-5 to 60 (with no freezing)

Applicable Model

Model	AR20	AR25	AR30	AR40	AR40-06	AR50	AR60
Port size	1/8, 1/4	1/4, 3/8	1/4, 3/8	1/4, 3/8, 1/2	3/4	3/4, 1	1



For high pressure

- Option/Semi-standard: Select one each for a to f.
 - Option/Semi-standard symbol: When more than one specification is required, indicate in alphabetic order.
- Example) AR30-03BG-NR-X425

	Symbol	Description	① Body size					
			20	25	30	40	50	60
② Thread type	Nil	Rc	●	●	●	●	●	
	N	NPT	●	●	●	●	●	
	F	G	●	●	●	●	●	
+								
③ Port size	01	1/8	●	—	—	—	—	
	02	1/4	●	●	●	—	—	
	03	3/8	—	●	●	—	—	
	04	1/2	—	—	●	—	—	
	06	3/4	—	—	—	●	●	
+								
④ Option	a Mounting	Nil	Without mounting option	●	●	●	●	●
		B	With bracket	●	●	●	●	●
		H	With set nut (for panel fitting)	●	●	●	—	—
+								
④ Option	b Pressure gauge	G	Round type pressure switch (with limit indicator)	●	●	●	●	●
		G	Round type pressure switch (with limit indicator)	●	●	●	●	●
+								
⑤ Semi-standard	c Exhaust mechanism	Nil	Relieving type	●	●	●	●	●
		N	Non-relieving type	●	●	●	●	●
+								
⑤ Semi-standard	d Flow direction	Nil	Flow direction: Left to right	●	●	●	●	●
		R	Flow direction: Right to left	●	●	●	●	●
+								
⑤ Semi-standard	e Knob	Nil	Downward	●	●	●	●	●
		Y	Upward	●	●	●	●	●
+								
⑤ Semi-standard	f Pressure unit	Nil	Name plate and pressure gauge in imperial units: MPa	●	●	●	●	●
		Z	Name plate and caution plate for bowl in imperial units: psi	○	○	○	○	○

- Note 1) Option B, G, H are not assembled and supplied loose at the time of shipment.
 Note 2) Assembly of a bracket and set nuts (AR20 to AR40) Including 2 mounting screws for the AR50 and AR60
 Note 3) Mounting thread for pressure gauge: 1/8 for AR20 to AR30, 1/4 for AR40 to AR60. Pressure gauge type: G46-20-□
 Note 4) For thread type: NPT. This product is for overseas use only according to the new Measurement Law. (The SI unit type is provided for use in Japan.)
 Note 5) ○: For thread type: NPT only

Regulator AR10 to AR60

Regulator with Backflow Function AR20K to AR60K

Made to Order Specifications:



Please contact SMC for detailed dimensions, specifications, and lead times.

③ 0.4 MPa Setting

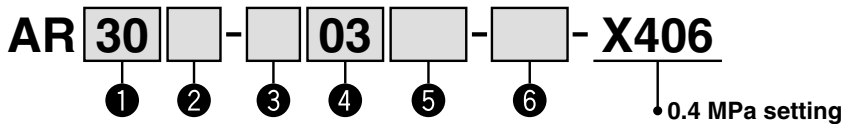
The maximum set pressure is 0.4 MPa. When a pressure gauge is included, the display will show a range from 0 to 0.4 MPa.

Specifications

Proof pressure	1.5 MPa
Maximum operating pressure	1.0 MPa
Set pressure range	0.05 to 0.4 MPa

Applicable Model

Model	AR10	AR20(K)	AR25(K)	AR30(K)	AR40(K)	AR40(K)-06	AR50(K)	AR60(K)
Port size	M5	1/8, 1/4	1/4, 3/8	1/4, 3/8	1/4, 3/8, 1/2	3/4	3/4, 1	1



- Option/Semi-standard: Select one each for a to f.
- Option/Semi-standard symbol: When more than one specification is required, indicate in alphabetic order.
Example) AR30K-03BE-NR-X406

		Symbol	Description	① Body size							
				10	20	25	30	40	50	60	
②	With backflow function	Nil	Without backflow function	●	●	●	●	●	●	●	
		K <small>Note 1)</small>	With backflow function	—	●	●	●	●	●	●	
		+									
③	Thread type	Nil	Metric thread (M5)	●	—	—	—	—	—	—	
		Rc		—	●	●	●	●	●	●	
		N	NPT	—	●	●	●	●	●	●	
		F	G	—	●	●	●	●	●	●	
		+									
④	Port size	M5	M5	●	—	—	—	—	—	—	
		01	1/8	—	●	—	—	—	—	—	
		02	1/4	—	—	●	—	—	—	—	
		03	3/8	—	—	●	●	—	—	—	
		04	1/2	—	—	—	—	●	—	—	
		06	3/4	—	—	—	—	—	●	—	
		10	1	—	—	—	—	—	—	●	
		+									
⑤	a	Mounting	Nil	Without mounting option	●	●	●	●	●	●	●
			B <small>Note 3)</small>	With bracket	●	●	●	●	●	●	●
			H	With set nut (for panel fitting)	●	●	●	●	●	—	—
			+								
	b	Pressure gauge	Nil	Without pressure gauge	●	●	●	●	●	●	●
			E	Square embedded type pressure gauge (with limit indicator)	—	●	●	●	●	●	●
			G	Round type pressure gauge (without limit indicator)	●	—	—	—	—	—	—
			M	Round type pressure gauge (with limit indicator)	—	●	●	●	●	●	●
			M	Round type pressure gauge (with color zone)	—	●	●	●	●	●	●
	Digital pressure switch	E1 <small>Note 4)</small>	Output: NPN output / Electrical entry: Wiring bottom entry	—	●	●	●	●	●	●	
		E2 <small>Note 4)</small>	Output: NPN output / Electrical entry: Wiring top entry	—	●	●	●	●	●	●	
		E3 <small>Note 4)</small>	Output: PNP output / Electrical entry: Wiring bottom entry	—	●	●	●	●	●	●	
		E4 <small>Note 4)</small>	Output: PNP output / Electrical entry: Wiring top entry	—	●	●	●	●	●	●	
		+									
⑥	c	Exhaust mechanism	Nil	Relieving type	●	●	●	●	●	●	
			N	Non-relieving type	●	●	●	●	●	●	
			+								
	d	Flow direction	Nil	Flow direction: Left to right	●	●	●	●	●	●	
			R	Flow direction: Right to left	●	●	●	●	●	●	
			+								
	e	Knob	Nil	Downward	●	●	●	●	●	●	
			Y	Upward	●	●	●	●	●	●	
			+								
	f	Pressure unit	Nil	Name plate and pressure gauge in imperial units: MPa	○ <small>Note 7)</small>	○ <small>Note 7)</small>	○ <small>Note 7)</small>	○ <small>Note 7)</small>	○ <small>Note 7)</small>	○ <small>Note 7)</small>	○ <small>Note 7)</small>
Z <small>Note 5)</small>			Name plate and pressure gauge in imperial units: psi	○ <small>Note 7)</small>	○ <small>Note 7)</small>	○ <small>Note 7)</small>	○ <small>Note 7)</small>	○ <small>Note 7)</small>	○ <small>Note 7)</small>	○ <small>Note 7)</small>	
ZA <small>Note 6)</small>			Digital pressure switch: With unit switching function	—	△ <small>Note 8)</small>	△ <small>Note 8)</small>	△ <small>Note 8)</small>	△ <small>Note 8)</small>	△ <small>Note 8)</small>	△ <small>Note 8)</small>	

- Note 1) The AR10 type comes with a backflow function as a standard feature. (K is not available.) When using the AR10 type as w/ backflow function, backflow may not occur with the set pressure 0.15 MPa or less. Please set the inlet pressure to at least 0.05 MPa higher than the set pressure.
- Note 2) Option B, G, H are not assembled and supplied loose at the time of shipment.
- Note 3) Assembly of a bracket and set nuts (AR10, AR20(K) to AR40(K)) Including 2 mounting screws for the AR50(K), AR60(K)
- Note 4) When choosing with H (panel mount), the installation space for lead wires will not be secured. In this case, select "wiring top entry" for the electrical entry.

- (Select "wiring bottom entry" when the semi-standard Y is chosen simultaneously.)
- Note 5) For thread type: M5 and NPT. This product is for overseas use only according to the new Measurement Law. (The SI unit type is provided for use in Japan.) The digital pressure switch will be equipped with the unit conversion function, setting to psi initially.
- Note 6) For options: E1, E2, E3, E4. This product is for overseas use only according to the new Measurement Law. (The SI unit is provided for use in Japan.)
- Note 7) ○: For thread type: M5 and NPT only
- Note 8) △: Select with options: E1, E2, E3, E4.

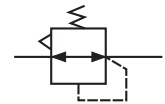
- AC
- AF□
- AR
- AL
- AW□
- A□G
- AV
- AF800
- AF900

Предназначен для понижения давления сжатого воздуха и поддержания его на заданном уровне

- Высокая пропускная способность
- Высокая стабильность поддержания давления

Технические характеристики

Типоразмер		EAR400	EAR600	EAR800	EAR900
Диапазон давления на выходе (МПа)	0.05 - 0.83	EAR425	EAR625	EAR825	EAR925
	0.02 - 0.2	EAR435	EAR635	EAR835	EAR935
Присоединительная резьба		G1/4, G3/8, G1/2	G3/4, G1	G1 1/4, G 1 1/2	G 2
Номинальный расход воздуха (норм. л/мин)*		7000	10000	16000	18000
Испытательное давление (МПа)		1.5			
Макс. рабочее давление (МПа)		1.0			
Рабочая температура (°C)		-5 ~ 60			
Потребление воздуха (норм. л/мин)*		5			
Присоединение манометра		G1/4			
Вес (кг)		0.7	1.1	2.5	4.5



* При P1=0.7 МПа и перепаде давлений p=0.1 МПа

Номер для заказа

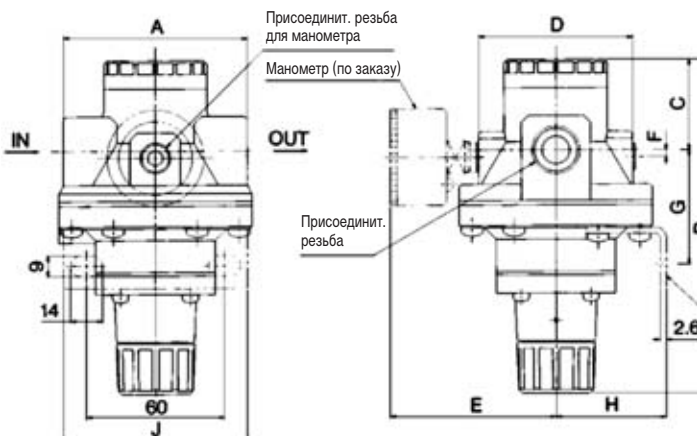
Типоразмер	Присоединительная резьба	Номер для заказа	
		0.05 ~ 0.83 МПа	0.02 ~ 0.2 МПа
EAR400	G1/4	EAR425-F02	EAR435-F02
	G3/8	EAR425-F03	EAR435-F03
	G1/2	EAR425-F04	EAR435-F04
EAR600	G3/4	EAR625-F06	EAR635-F06
	G1	EAR625-F10	EAR635-F10
EAR800	G 1 1/4	EAR825-F12	EAR835-F12
	G 1 1/2	EAR825-F14	EAR835-F14
EAR900	G 2	EAR925-F20	EAR935-F20

Принадлежности (заказываются отдельно)

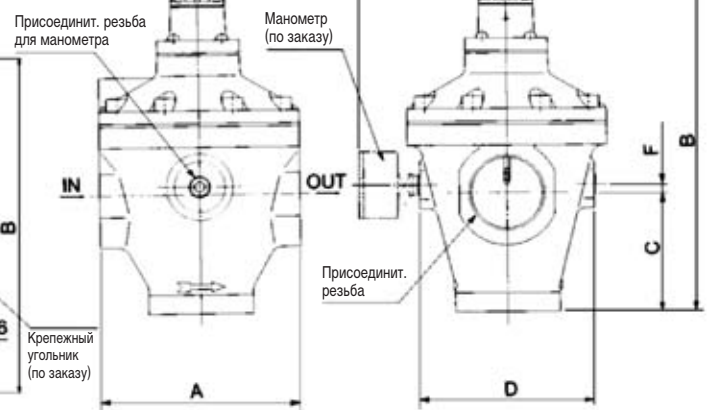
Типоразмер		EAR400	EAR600	AR800	AR900
Манометр (стр. 157)	0.05~0.83	K4-10-50	EAR425	EAR625	AR825
	0.02~0.2	K4-2.5-50	EAR435	EAR635	AR835
Крепежный угольник		B24P	B25P	-	-

Размеры

EAR425 ~ EAR625



EAR825 ~ EAR925

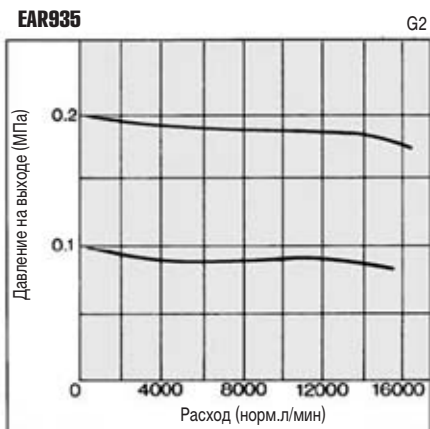
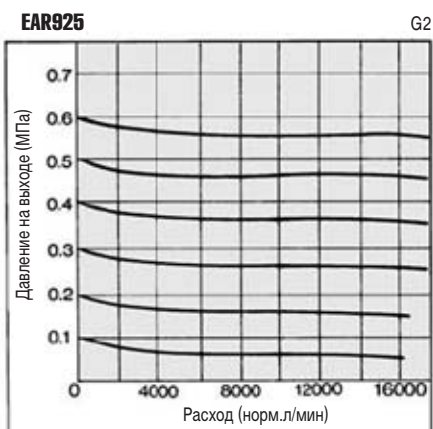
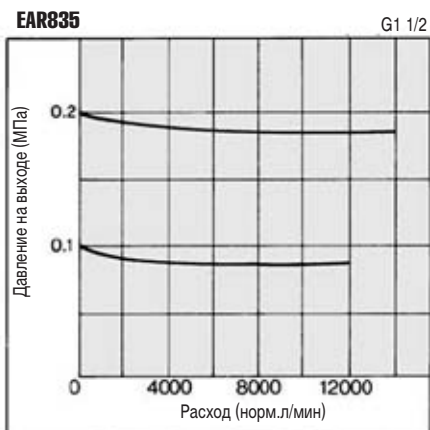
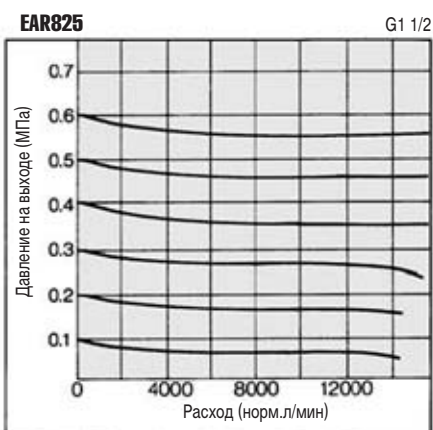
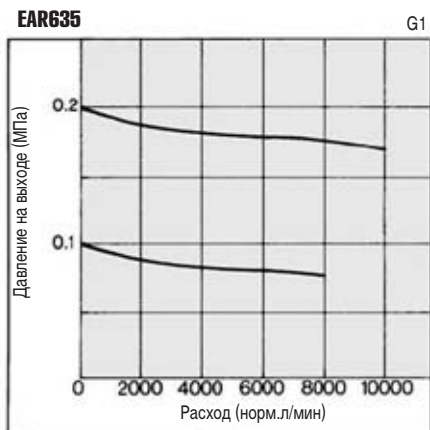
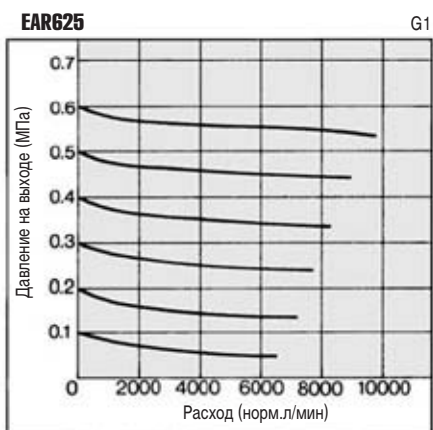
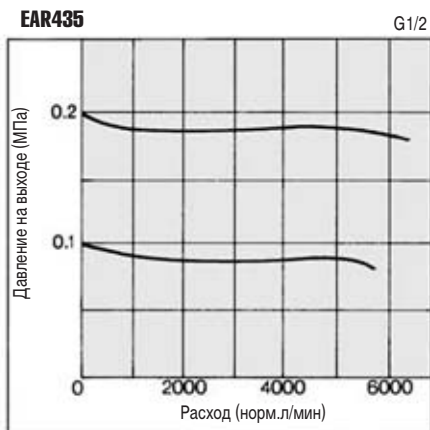
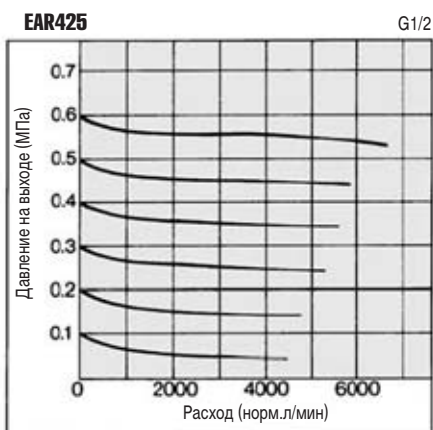


Модель	Присоед. резьба	Присоед. резьба для манометра	A	B	C	D	E	F	Крепежный угольник		
									G	H	J
EAR425/435	1/4, 3/8, 1/2	1/4	80	145.5	39.5	67	73	3	46.5	48	80
EAR625/635	3/4, 1	1/4	98	155	43	78	78.5	7	85	52	90
EAR825/835	1 1/4, 1 1/2	1/4	126	216	75	110	94.5	5	-	-	-
EAR925/935	2	1/4	160	241	90	140	109.5	10	-	-	-

Регулятор давления с высокой пропускной способностью EAR425-935

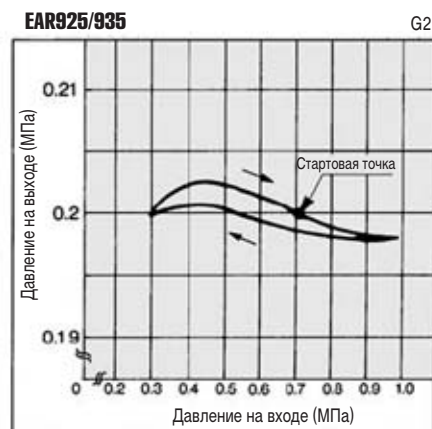
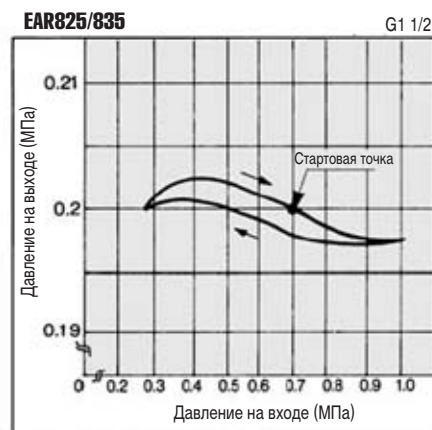
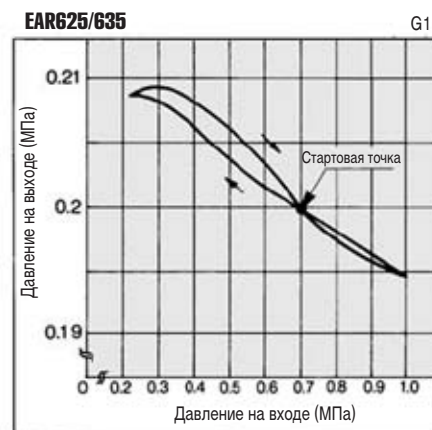
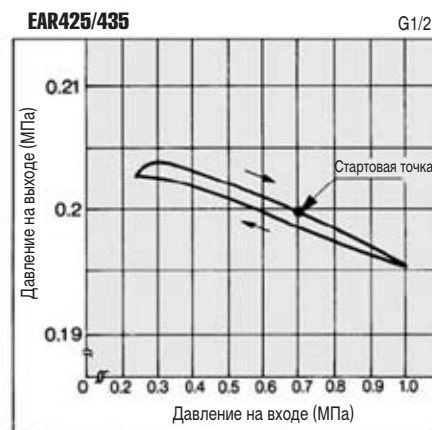
Характеристики расхода

Давление на входе: 0.7 МПа



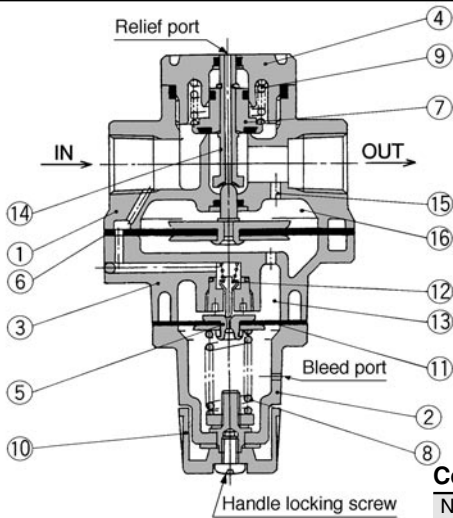
Характеристики давления

Давление на входе: 0.7 МПа
Давление на выходе: 0.2 МПа
Расход: 20 норм.л/мин



Pilot Operated Regulator **AR425 to 935**

Construction



When handle ⑩ is turned clockwise to compress pressure adjustment spring ⑧, the pressure from the IN side passes through diaphragm ①, opens pilot valve ⑫, and enters upper pilot chamber ⑬. This pressure and the force generated by pressure adjustment spring ⑧ act as resistance, resulting in equilibrium. Then, this pressure passes through diaphragm ⑥ of the main valve and stem ⑭, and pushes valve (main valve) ⑦ open, thus guiding the pressure to the OUT side. At the same time, the pressure passes through feedback hole ⑮, and enters diaphragm chamber ⑯, thus establishing the OUT side pressure (secondary pressure).

Component Parts

No.	Description	Material	Note
①	Body	ADC*	Painted silver
②	Bonnet	ADC	Painted silver
③	Chamber	ADC	Painted silver
④	Valve guide	ZDC*	Painted silver

*In case of AR825/835/925/935, the material is AC2A-F.

⚠ Precautions

Be sure to read before handling. Refer to p.0-26 and 0-27 for Safety Instructions and common precautions on the products mentioned in this catalogue, and refer to p.1.0-2 and 1.0-13 for precautions on every series.

Mounting/Adjustment

⚠ Warning

- ① Set up the regulator while verifying the pressure that is indicated on the primary and the secondary pressure gauges. Turning the handle excessively could damage the internal parts.
- ② The pressure gauge that is provided with AR*35 for setting a pressure between 0.02 to 0.2MPa is the 0.2MPa style. To prevent damage to the pressure gauge, make sure that a pressure that exceeds 0.2MPa is not applied.
- ③ Install the valve guide (on the opposite side of the handle) 60mm away from the ground surface to facilitate maintenance inspection.
- ④ Do not use the regulator with flow exceeding the Max. flow indicated in "Flow Characteristics" as this can cause failure in pressure adjustment.

⚠ Caution

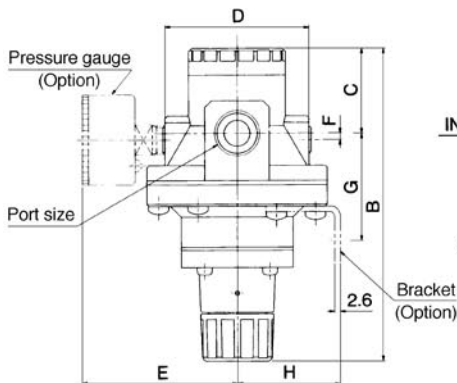
- ① Release the lock to adjust the pressure. After the adjustment, engage the lock. Failure to observe this procedure could damage the handle or cause the secondary pressure to fluctuate. (Lock operating method)
Loosen the handle locking screw to release the lock, and tighten it to lock it.
- ② To use this product between the solenoid valve and the actuator, contact SMC.

Replacement Parts

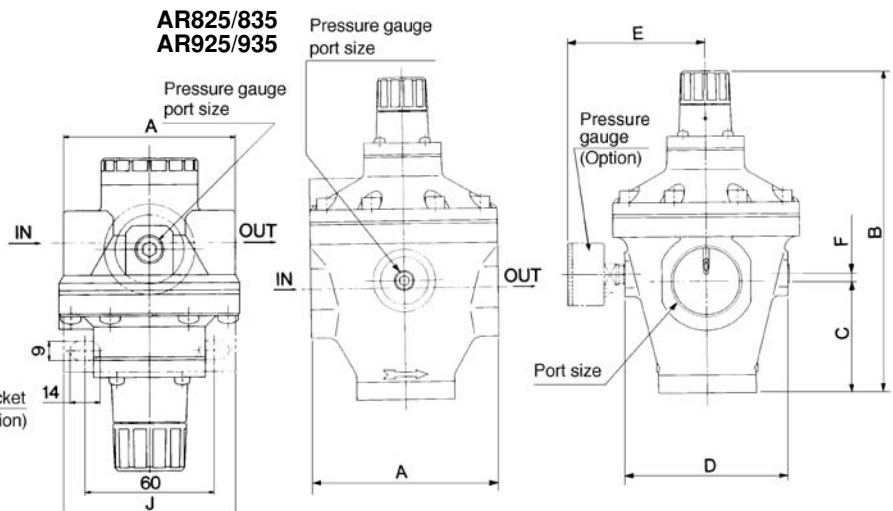
No.	Description	Material	Part No.			
			AR425/435	AR625/635	AR825/835	AR925/935
⑤	Exhaust valve ass'y	—	132586A	132586A	132586A	132586A
⑥	Main valve side diaphragm ass'y	—	132581A	132659A	13275A	13285A
⑦	Valve ass'y	—	132572A	132653A	132752A	132829A
⑧	Adjusting spring	SWPB	135053(AR425) 135025(AR435)	135053(AR625) 135025(AR635)	135053(AR825) 135025(AR835)	135053(AR925) 135025(AR935)
⑨	Valve spring	SUS304	135211	132656	132713	13289

Dimensions

AR425/435
AR625/635



AR825/835
AR925/935

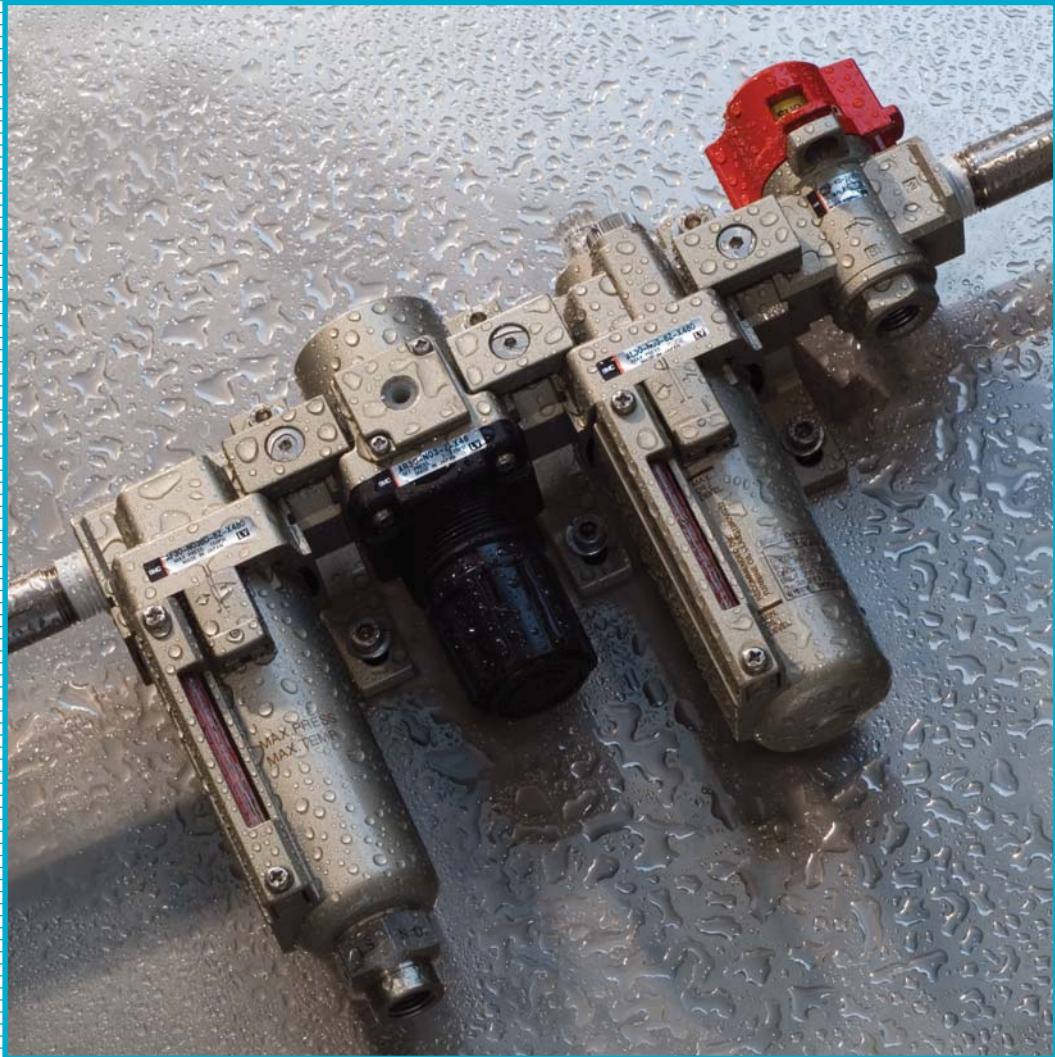


Model	Port size	Pressure gauge port size	A	B	C	D	E	F	Bracket dimensions			Bracket part No.
									G	H	J	
AR425/435	1/4, 3/8, 1/2	1/4	80	145.5	39.5	67	73	3	46.5	48	80	B24P
AR625/635	3/4, 1	1/4	98	155	43	78	78.5	7	85	52	90	B25P
AR825/835	1 1/4, 1 1/2	1/4	126	216	75	110	94.5	5	—	—	—	—
AR925/935	2	1/4	160	241	90	140	109.5	10	—	—	—	—



Series AC

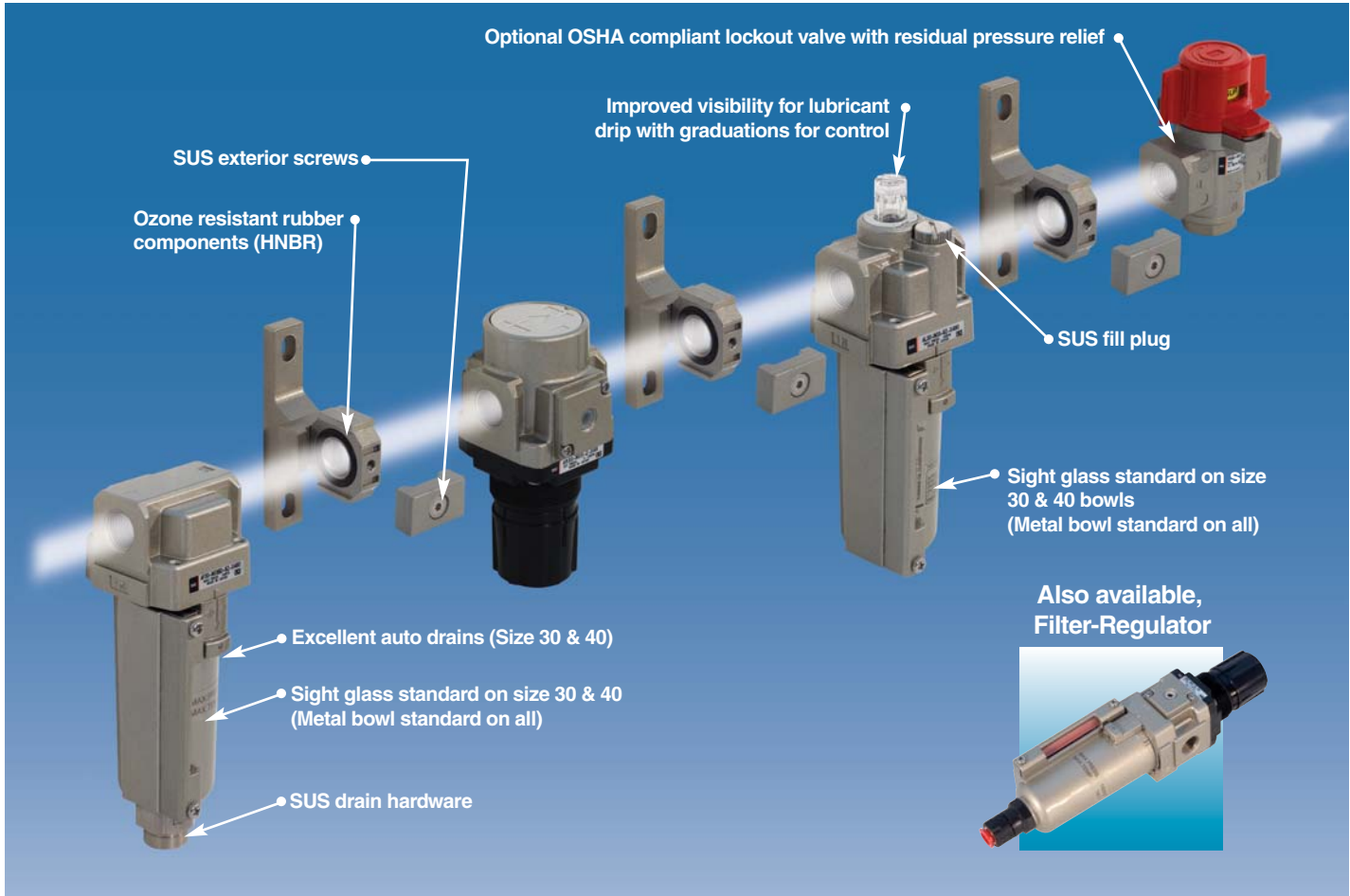
Epoxy Coated F.R.L.



Enhanced protection for corrosive manufacturing environments

Epoxy Coated F.R.L. Unit

The performance you have come to expect from SMC Air Preparation products --Now enhanced with an optional epoxy resin coating & stainless hardware for long lasting performance in challenging environments.



All stainless components are an expensive option when faced with wet or corrosive environments. By providing a durable epoxy coating* and stainless external hardware on our industry-leading air preparation components, SMC is able to offer enhanced corrosion resistance with the high performance of our standard models.

* As with any coated product, care should be taken to avoid scratching the coating as the protection can be compromised through such damage.

F.R.L. Unit

How To Order

Series AC 21 to 41

AC 31 B - N 03 D - V 8 Y Z - X2217

Air Combination Unit

Body Size

Symbol	Size
21	1/8
31	3/8
41	1/2

Model Combination

Symbol	Model/Assembly Order
Nil	AF + AR + AL
A	AW + AL
B	AF + AR

NPT Threads

Port Size

Symbol	Port Size	Applicable Body Size
02	1/4	21
03	3/8	31
04	1/2	41

With External Epoxy Coating, Stainless Fasteners

Name Plate, Caution Plate On Bowl in psi, °F

Regulator Handle Orientation

Symbol	Description
Nil	Downward Handle
Y	Upward Handle

Bowl

Symbol	Description	Applicable Body Size
2	Metal Bowl	21
8	Metal Bowl with Sight Glass	31, 41

Residual Pressure Relief Valve

Symbol	Description	Applicable Body Size
Nil	Without Valve	All
V	With Downstream Valve	All

Accessories

Symbol	Description	Applicable Body Size
Nil	None	All
C	Float Auto Drain (N.C.)	31, 41
D	Float Auto Drain (N.O.)	31, 41

Filter

How To Order

Series AF 20 to 40

AF 30 - N 03 D - 8 Z - X480

Filter

Body Size

Symbol	Size
20	1/8
30	3/8
40	1/2

NPT Threads

Port Size

Symbol	Port Size	Applicable Body Size
02	1/4	20
03	3/8	30
04	1/2	40

• With External Epoxy Coating, Stainless Fasteners

• Name Plate, Caution Plate On Bowl in psi, °F

• Bowl

Symbol	Description	Applicable Body Size
2	Metal Bowl	21
8	Metal Bowl with Sight Glass	31, 41

• Accessories

Symbol	Description	Applicable Body Size
Nil	None	All
B*	Mounting Bracket	All
C	Float Auto Drain (N.C.)	31, 41
D	Float Auto Drain (N.O.)	31, 41

*Note: Bracket is not assembled and is supplied loose at time of shipment.

Regulator

How To Order

Series AR 20 to 40

AR 20 - N 02 B - Y Z - X48

Regulator

Body Size

Symbol	Size
20	1/8
30	3/8
40	1/2

NPT Threads

Port Size

Symbol	Port Size	Applicable Body Size
02	1/4	20
03	3/8	30
04	1/2	40

• With External Epoxy Coating Stainless Fasteners

• Name Plate in imperial Units (psi, °F)

• Handle Orientation

Symbol	Description
Nil	Handle Down
Y	Handle Up

• Accessories

Symbol	Description
Nil	None
B*	Mounting Bracket
H*	Panel Mount Nut

*Note: Bracket and/or panel mount nut are not assembled and are supplied loose at time of shipment.

Residual Pressure Relief Valve

How To Order

Series VHS 20 to 40

VHS 30 - N 03 - Z - X513

Residual Pressure Relief Valve

Body Size

Symbol	Applicable Model
20	AC21
30	AC31
40	AC41

Thread Type

N	NPT
---	-----

Port Size

Symbol	Port Size	Body Size		
		20	30	40
02	1/4	●		
03	3/8		●	
04	1/2			●

• With External Epoxy Coating Stainless Fasteners

• Name Plate in imperial Units (psi, °F)

Note: Other sizes, thread forms, options, etc. may be possible, please contact SMC for availability.

Lubricator

How To Order

Series AL20 to 40

AL 20 - N 02 B - 2 Z - X480

Lubricator •
 Body Size •
 NPT Threads •
 Port Size •
 Bowl •
 Accessories •
 With External Epoxy Coating, Stainless Fasteners
 Name Plate, Caution Plate On Bowl in psi, °F

Symbol	Size
20	1/8
30	3/8
40	1/2

Symbol	Port Size	Applicable Body Size
02	1/4	20
03	3/8	30
04	1/2	40

Symbol	Description	Applicable Body Size
2	Metal Bowl	20
8	Metal Bowl with Sight Glass	30, 40

Symbol	Description	Applicable Body Size
Nil	None	All
B*	Mounting Bracket	All

*Note: Bracket is not assembled and is supplied loose at time of shipment.

Filter - Regulator

How To Order

Series AW20 to 40

AW 30 - N 03 D 8 Z - X48

Filter - Regulator •
 Body Size •
 NPT Threads •
 Port Size •
 Bowl •
 Accessories •
 With External Epoxy Coating Stainless Fasteners
 Name Plate in imperial Units (psi, °F)

Symbol	Size
20	1/8
30	3/8
40	1/2

Symbol	Port Size	Applicable Body Size
02	1/4	20
03	3/8	30
04	1/2	40

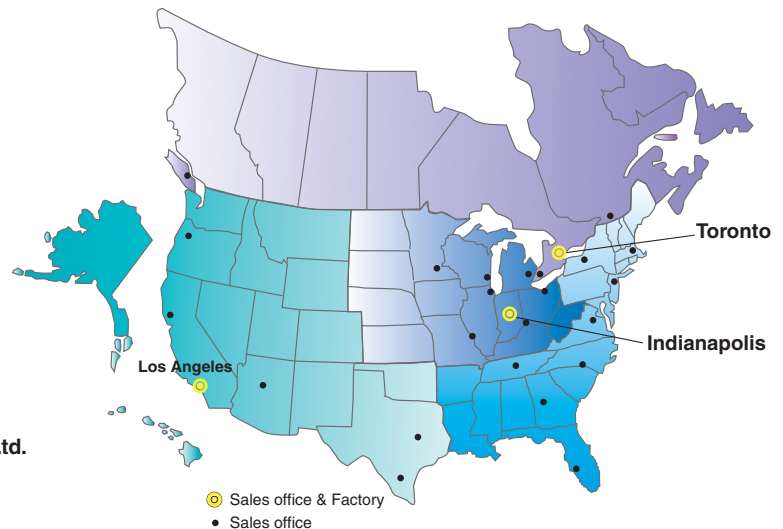
Symbol	Description	Applicable Body Size
2	Metal Bowl	20
8	Metal Bowl with Sight Glass	30, 40

Symbol	Description	Applicable Body Size
Nil	None	All
B*	Mounting Bracket	All
C	Float Auto Drain (N.C.)	30, 40
D	Float Auto Drain (N.O.)	30, 40
H*	Panel Mount Nut	All

*Note: Bracket and/or panel mount nut are not assembled and are supplied loose at time of shipment.

U.S. & Canadian Sales Offices

EAST	WEST	MIDWEST	CANADA
Atlanta	Austin	Chicago	Montreal
Boston	Dallas	Cincinnati	Tel: (514) 733-9595
Charlotte	Los Angeles	Cleveland	Fax: (514) 733-1771
Nashville	Phoenix	Detroit	Toronto
New Jersey	Portland	Indianapolis	Tel: (905) 812-0400
Richmond	San Francisco	Milwaukee	Fax: (905) 812-8686
Rochester		Minneapolis	Vancouver
Tampa		St. Louis	Tel: (604) 517-1646
			Fax: (604) 517-1647
			Windsor
			Tel: (519) 944-0555
			Fax: (519) 944-1870



SMC Corporation of America
 3011 N. Franklin Road
 Indianapolis, IN 46226
(800) 762-7621 (SMC.SMC1)
www.smcusa.com
For International inquiries: www.smcworld.com

SMC Pneumatics (Canada) Ltd.
 6768 Financial Drive Mississauga
 Ontario, L5N 7J6 Canada
(905) 812-0400
www.smcpcanada.com